

# VENTÜER TECHNICAL DATA SHEET

## ECH-Series Hinged Core Eggcrate Grilles

### Features:

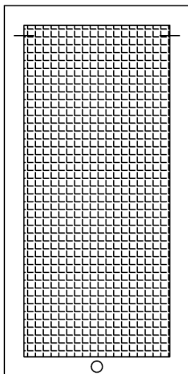
- High quality aluminium construction.
- Hinged 12mm x 12mm lattice eggcrate core and panel filter in flanged frame.
- Removable filter for easy cleaning.
- Suitable for mounting in walls or ceilings.
- Typically used in return air and exhaust applications.
- Very low pressure drop.
- Standard finish - white powdercoat (other colours available on request).
- Custom sizes available if required.



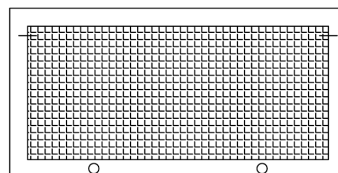
Performance Data					
Nominal Neck Size (mm)	Core Area (m2)	Airflow (l/s) for Core Velocity			
		1.5 m/s	1.75 m/s	2.0 m/s	2.5 m/s
300 x 300	0.053	79	93	106	132
400 x 350	0.092	139	162	185	231
600 x 300	0.120	181	211	241	301
450 x 450	0.142	213	248	284	355
600 x 400	0.175	262	306	350	437
750 x 400	0.228	342	339	456	570
600 x 600	0.274	411	479	548	685
750 x 600	0.360	541	631	721	901
1200 x 400	0.373	559	653	746	932
900 x 600	0.440	660	770	880	1100
1200 x 500	0.486	729	850	972	1215

Filter Specification		
Media Type	TM50	TM30
Face Velocity	1.75 m/s	1.78 m/s
Arrestance #4 Dust	72.80%	60.50%
Initial Resistance	20 Pa	13 Pa
Dust Holding Capacity	16.7 kg/m @ 62 Pa	1.4 kg/m @ 39 Pa

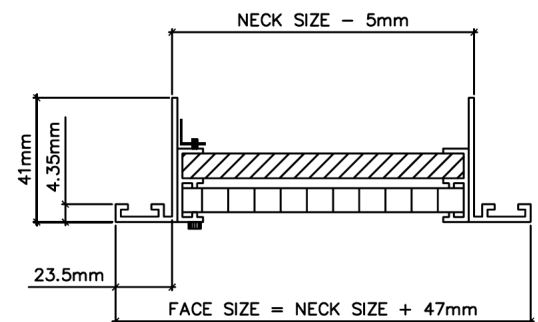
**Note:** select grille size to suit filter face velocity. Filter performance at velocity greater than 1.8m/s is not guaranteed.



Standard grilles are hinged on the short side.



If required the grille can be hinged on the long side. This needs to be specified at time of ordering and will be custom fabricated.



Standard Sizes	
Product Code	Neck Size (mm)
ECH-3030	300 x 300
ECH-4040	400 x 400
ECH-5454	543 x 543*
ECH-6030	600 x 300
ECH-6040	600 x 400
ECH-6045	600 x 450
ECH-7040	700 x 400
ECH-7540	750 x 400
ECH-7555	750 x 550
ECH-9040	900 x 400
ECH-11454	1143 x 543**

\* 595mm x 595mm face size

\*\* 1195mm x 595mm face size

Custom sizes available on request

**EGGCRATE  
GRILLES**  
ECH-SERIES



**VENTÜER**  
High-Performance Building Ventilation

P: +64 9 973 3616  
W: www.ventuer.co.nz  
© 2019 All rights reserved

Scale:  
Date:

NTS  
08/10/2019

ECG-ECH

Ver.1