

VENTÜER TECHNICAL DATA SHEET

WS-Series Silent Mixed-Flow Inline Fans

Features:

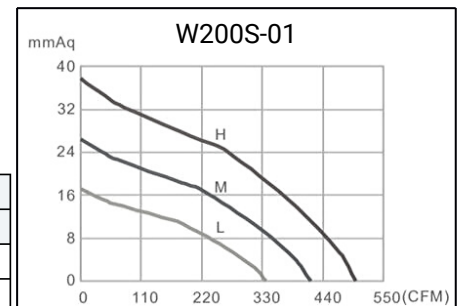
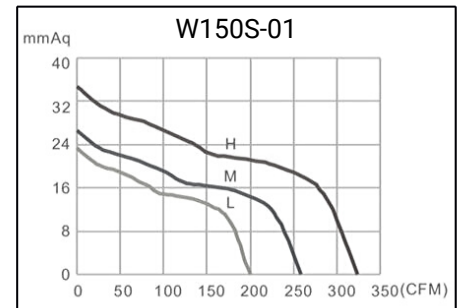
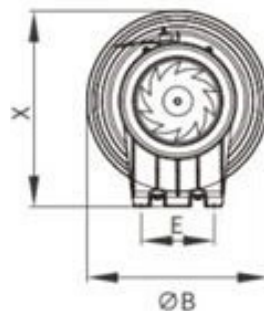
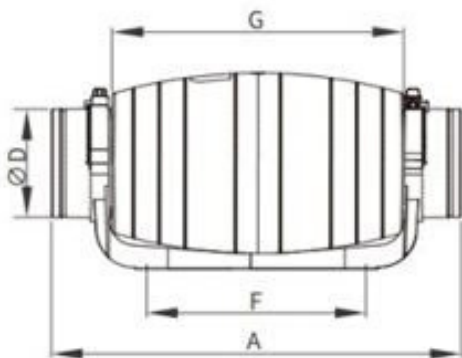
- High performance mixed-flow impeller.
- Quiet operation thanks to insulated outer casing and acoustically perforated inner surface.
- Fans can be easily removed for maintenance without disturbing the duct system via specially designed connection brackets.
- All models are designed for direct connection to standard diameter circular ducting.
- A mounting foot is incorporated into the fan housing enabling easy installation.



Specifications:

- 3 speed: Supplied with standard 3 pin plug and speed controller.
- Electricity Supply: 220-240V, 50Hz.
- Bearings: NMB ball bearings. Rated for 50,000 hours at 20 - 60°C.
- IP Rating: IP44.

Technical Specifications									
Model	Voltage / Frequency	Speed	Current (Amps)	Power (W)	Speed (r/min)	Airflow (m3/h)	Pressure (Pa)	Net Weight (kgs)	Noise (dBA)
W150S-01	220-240V / 50Hz	H	0.280	51	2600	550	340	2.3	30
		M	0.200	46	2050	440	260		28
		L	0.190	42	1650	340	230		25
W200S-01	220-240V / 50Hz	H	0.590	131	2450	850	370	3.5	35
		M	0.495	114	2050	710	259		32
		L	0.440	101	1650	572	167		29



Dimensions							
Model	A	Ø B	Ø D	E	F	G	X
W150S-01	485	223	148.5	94	251	355	246.5
W200S-01	570	265	198	127	340	440	297

INLINE FANS
WS-SERIES



VENTÜER
High-Performance Building Ventilation
P: +64 9 973 3616
W: www.ventuer.co.nz
© 2019 All rights reserved

Scale: NTS
Date: 08/10/2019

IF-WS Ver.1