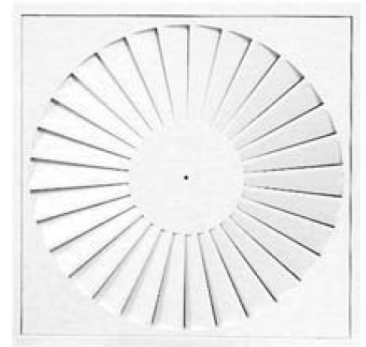


VENTÜER TECHNICAL DATA SHEET

SWD-Series Swirl Diffusers

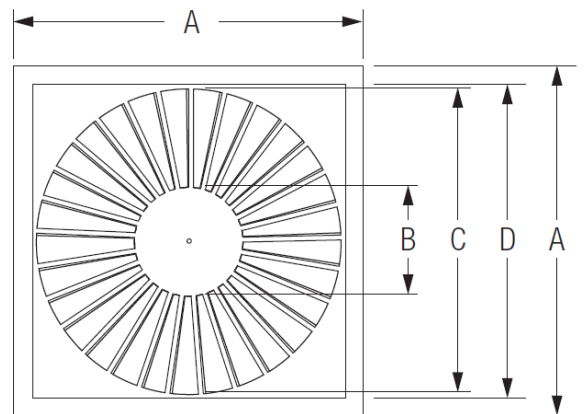
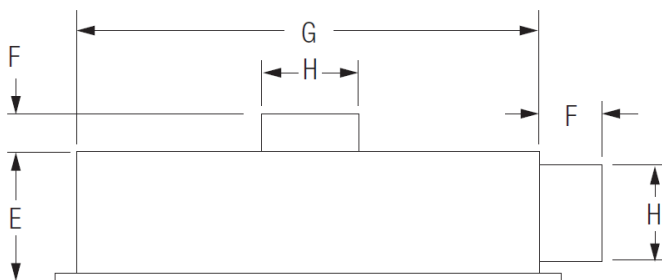
Features:

- Fixed radially arranged air control blades which provide high induction vortex air flow, projecting horizontally from the face of diffuser.
- The swirling air flow avoids the creation of stationary air jets, resulting in excellent mixing and uniformity of air temperature.
- High coanda effect reduces direct-throw of air on occupants.
- Ideally suited to areas of high heat load where large quantities of cool air must be rapidly mixed with room air and/or areas which require high air change in a short time.
- Able to be used for both exhaust and return airflows.
- Constructed from white powdercoated galvanised steel.
- Diffuser face can be opened without using any tools.
- Volume control via adjustable damper which is adjustable without removing ceiling panel.
- Standard sizes available for T-bar ceiling on metric or imperial size.
- Plenum box can be constructed for side or top duct entry.



Technical Specification

Duct Size (mm)	Collar Neck Velocity (m/s)	1.5	2.0	2.5	3.0	3.5	4.0	4.5	5.0	5.5	6.0
	Velocity Pressure (Pa)	2	3	4	6	8	10	13	16	19	23
250	Throw (m)	0.9 - 1.8	1.2 - 2.4	1.5 - 2.7	1.8 - 3.0	2.1 - 3.4	2.4 - 3.7	2.7 - 4.0	2.7 - 4.0	3.0 - 4.3	3.0 - 4.3
	Total Pressure (Pa)	6	11	17	29	39	49	61	76	91	108
	Flow (l/s)	74	99	124	149	171	196	220	245	270	294
	NR (dB(A))	-	-	21	28	34	36	40	42	44	46
300	Throw (m)	1.2 - 2.4	1.5 - 3.0	1.8 - 3.4	2.4 - 4.0	2.7 - 4.3	3.0 - 4.6	3.4 - 4.6	3.7 - 4.9	3.7 - 5.2	3.9 - 5.5
	Total Pressure (Pa)	13	23	35	51	68	90	113	141	170	214
	Flow (l/s)	107	143	179	215	247	282	318	353	388	424
	NR (dB(A))	-	24	30	38	41	44	47	49	51	54



Dimensions

Duct Size	A	B	C	D	E	F	G	H
250	595	190	513	535	210	60	580	250
300	595	190	513	535	230	60	580	300
350	595	190	513	535	230	60	580	350

SWIRL DIFFUSERS

SWD-SERIES



VENTÜER
High-Performance Building Ventilation

P: +64 9 973 3616
W: www.ventuer.co.nz
© 2019 All rights reserved

Scale:

Date:

NTS

08/10/2019

ID-SWD

Ver.1