

VENTÜER TECHNICAL DATA SHEET

ICX-Series Mixed-Flow Inline Fans

Features:

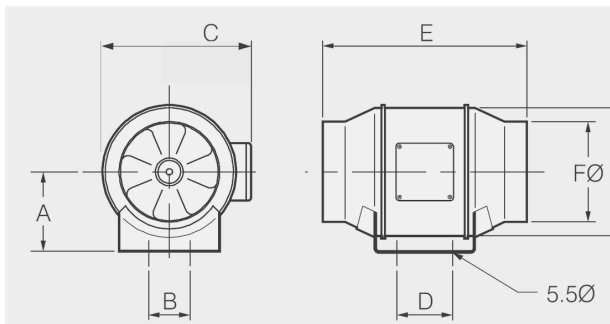
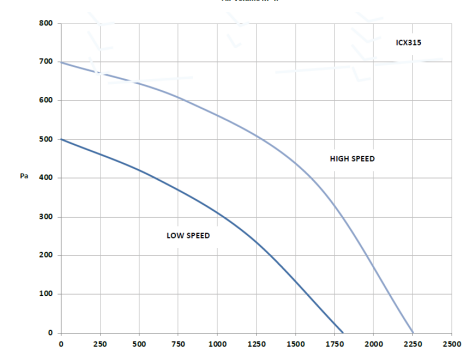
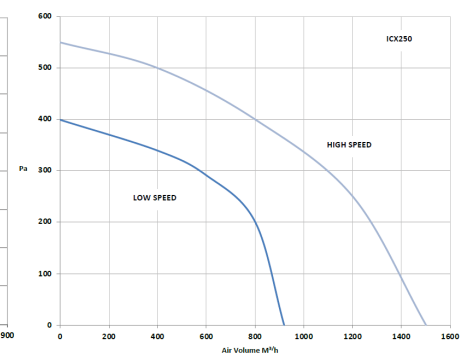
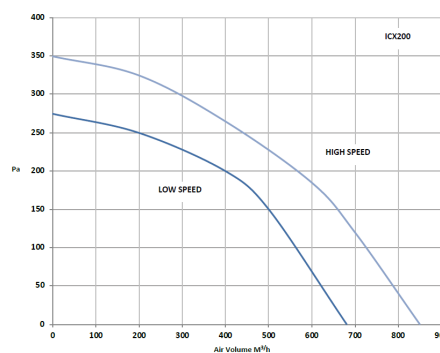
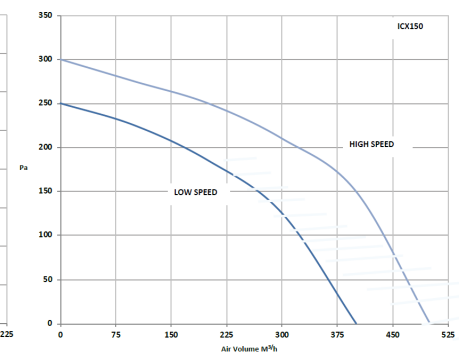
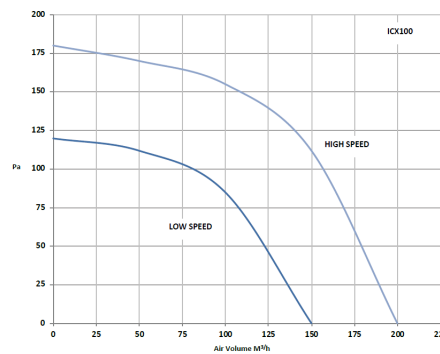
- High performance mixed-flow impeller.
- Fans can be easily removed for maintenance without disturbing the duct system via specially designed connection brackets.
- All models are designed for direct connection to standard diameter circular ducting.
- A mounting foot is incorporated into the fan housing enabling easy installation.



Technical Specifications						
Model	Power (W)	Airflow (m3/h)	Pressure (Pa)	Noise (dB)	Duct Size (mm)	Net Weight (kgs)
ICX100	28 / 25	200 / 150	180 / 130	30 / 25	100 / 125	1.8
ICX150	50 / 40	500 / 400	300 / 250	35 / 30	150 / 160	2.2
ICX200	70 / 60	850 / 700	350 / 280	50 / 45	200	3.1
ICX250	170 / 130	1500 / 1100	550 / 400	60 / 54	250	7
ICX315	320 / 230	2300 / 1800	700 / 500	66 / 61	315	9.7

Specifications:

- Motor: 2 speed squirrel cage, capacitor run.
- Electricity Supply: 230V, 50-60Hz.
- Insulation: Class B, IP44.
- Bearings: sealed for life, ball.
- Speed-controllable: using solid state speed controller in high speed setting only.



Dimensions						
Model	A	B	C	D	E	F Ø
ICX100	95	60	214	62	300	Ø 100
ICX150	110	70	237	72	293	Ø 150
ICX200	124	85	258	78	304	Ø 200
ICX250	152	92	298	119	383	Ø 250
ICX315	189	140	364	127	413	Ø 315

INLINE FANS
ICX-SERIES



VENTÜER
High-Performance Building Ventilation
P: +64 9 973 3616
W: www.ventuer.co.nz
© 2019 All rights reserved

Scale: NTS
Date: 08/10/2019

IF-ICX Ver.1