

VENTÜER TECHNICAL DATA SHEET

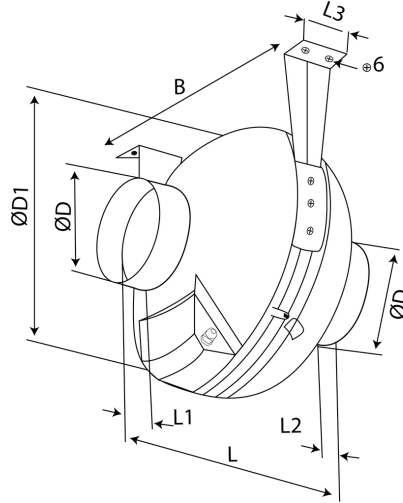
ICP-Series Plastic Case Inline Centrifugal Fans

Specifications:

- Corrosion-resistant durable plastic casing.
- Waterproof terminal boxes.
- Dynamic balanced backward curved impeller.
- AC external rotor motor with overheat protection (auto restart).
- Maintenance free ball bearings designed to 40,000 hours.
- Mounting legs supplied loose.
- IP44 Motor Protection



Technical Specifications							
Model	Power (W)	Airflow (m3/h)	Pressure (Pa)	Current (Amps)	Diameter (mm)	Speed (RPM)	Noise (dB)
ICP100	80	250	350	0.37	100	2820	46
ICP125	80	355	330	0.34	125	2800	46
ICP150	80	460	290	0.35	150	2725	46
ICP200	107	780	365	0.47	200	2660	48
ICP250	173	1080	500	0.76	250	2090	50
ICP315	310	1700	650	1.36	315	2590	53



Dimensions								
Model	Ø D	Ø D1	B	L	L1	L2	L3	KG
ICP100	100	250	270	230	30	27	30	2.15
ICP125	125	250	270	220	30	27	30	2.2
ICP150	150/160	300	310	286	30	30	30	2.6
ICP200	200	340	354	276	30	30	40	4
ICP250	250	340	354	265	30	30	40	4.5
ICP315	315	400	414	276	40	55	40	5.2

INLINE FANS
ICP-SERIES



VENTÜER
High-Performance Building Ventilation
P: +64 9 973 3616
W: www.ventuer.co.nz
© 2019 All rights reserved

Scale: NTS
Date: 08/10/2019

IF-ICM

Ver.1