

VENTÜER TECHNICAL DATA SHEET

ICM-Series Metal Case Inline Centrifugal Fans

Specifications:

- Inline steel cased duct fan for fresh air supply or extraction.
- Backward-curved centrifugal impeller.
- ABS (FR) connection box.
- Motor is equipped with automatic reset thermal overload protection.
- Operating temperature range 20°C - 50°C.
- Insulation class F.
- Enclosure class IP44.
- Integral mounting bracket.

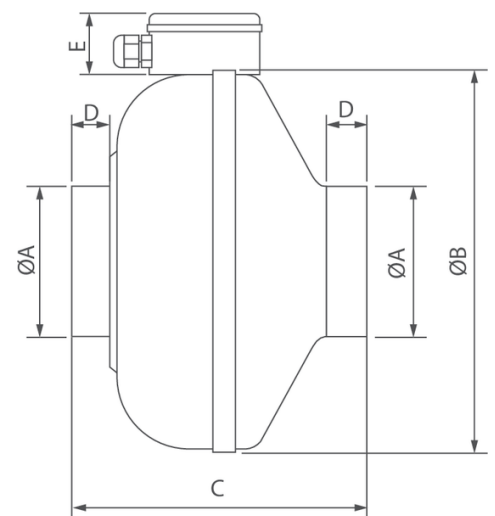


Technical Specifications

Model	Power (W)	Airflow (m3/h)	Pressure (Pa)	Current (Amps)	Diameter (mm)	Speed (RPM)
ICM150	100	550	395	0.45	150	2460
ICM200	158	930	565	0.69	200	2600
ICM250	190	1030	560	0.86	250	2410
ICM315	280	1800	700	1.22	315	2490

Dimensions

Model	A	B	C	D	E
ICM150	150	333	222	28	42
ICM200	200	333	223	25	42
ICM250	250	333	205	27	42
ICM315	315	402	258	25	42



INLINE FANS
ICM-SERIES



VENTÜER
High-Performance Building Ventilation
P: +64 9 973 3616
W: www.ventuer.co.nz
© 2019 All rights reserved

Scale:
Date:

NTS
08/10/2019

IF-ICM

Ver.1