

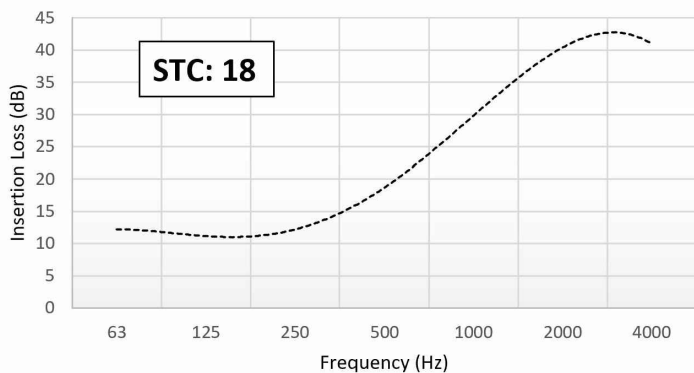
VENTÜER TECHNICAL DATA SHEET

The Ventüer AL-450W louvre system is a high performing acoustic attenuator ideal for situations where protection from wind driven rain is desired alongside good airflow and high noise reduction. It comes with an extruded aluminium two stage weather-stop profile to the front of the louvre, and blades which are filled with high-density mineral wool with the rear faces perforated to enable excellent sound absorption. Bird mesh, insect mesh or dust filters can also be integrated as required.

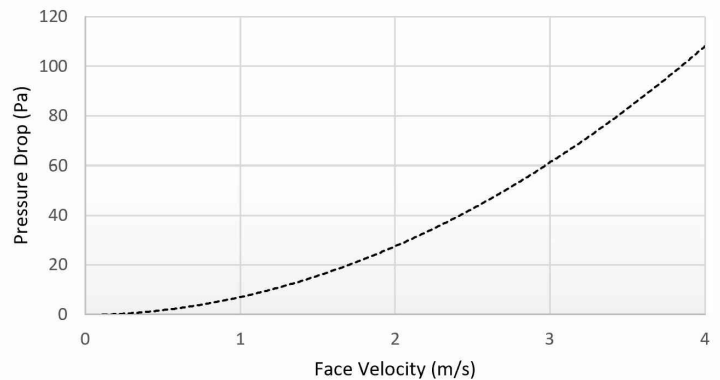


The tables below represent the AL-450W performance results for insertion loss and pressure drop (tested to ISO 10140-2). For more information and the Ventüer louvre calculator please visit www.ventuer.co.nz

Insertion Loss



Pressure Drop



ACOUSTIC LOUVRE
AL-450W



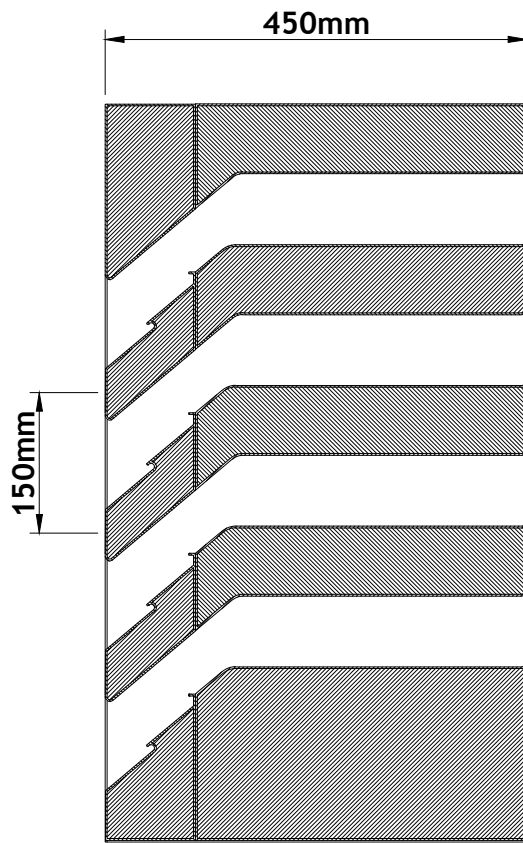
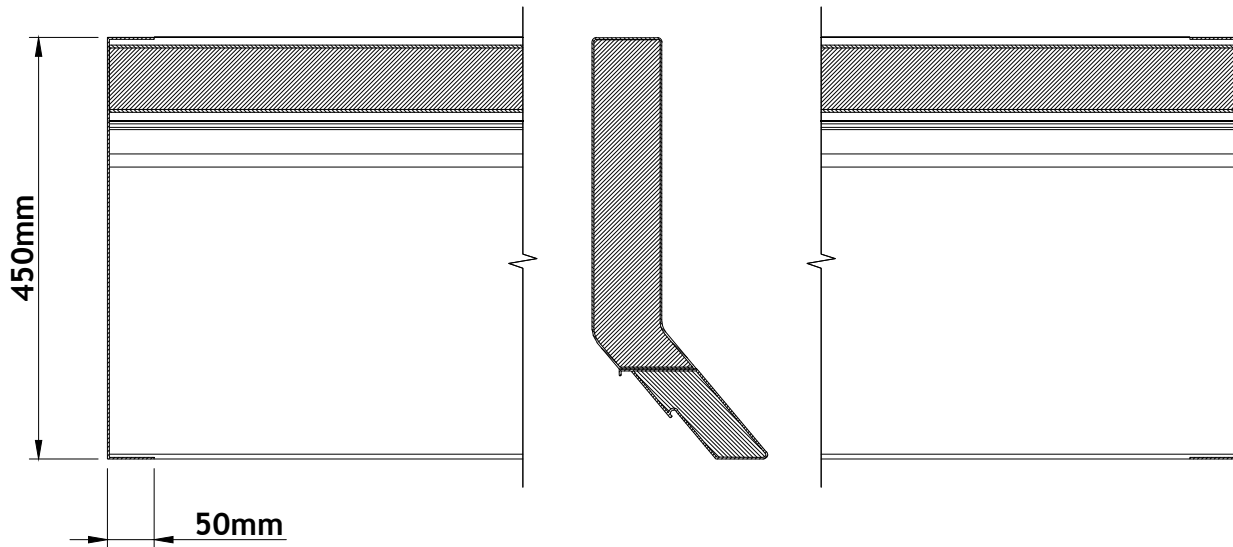
VENTÜER
High-Performance Building Ventilation

P: +64 9 973 3616
W: ventuer.co.nz
© 2019 All rights reserved

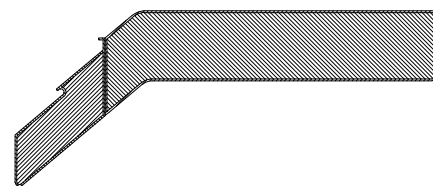
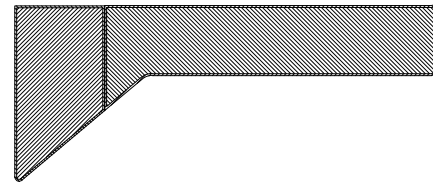
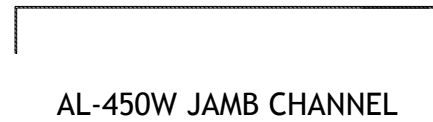
Scale: NTS
Date: 01.07.2019

AL-450W Ver.1

VENTÜER TECHNICAL DATA SHEET



Free Area Percentage:
31% of Active Louvre Area



ACOUSTIC LOUVRE
AL-450W



VENTÜER
High-Performance Building Ventilation

P: +64 9 973 3616
W: ventuer.co.nz
© 2019 All rights reserved

Scale: NTS
Date: 01.07.2019

AL-450W Ver.1