

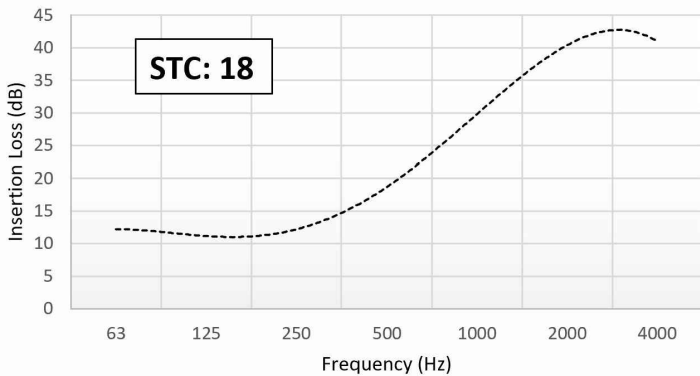
VENTÜER TECHNICAL DATA SHEET

The Ventüer AL-450 louvre system is a high performing acoustic attenuator ideal for situations where a high level of noise reduction and minimum pressure drop are required. Fabricated from sheet metal, the blades are filled with high-density mineral wool and have the rear faces perforated to enable excellent sound absorption. Bird mesh, insect mesh or dust filters can also be integrated as required.

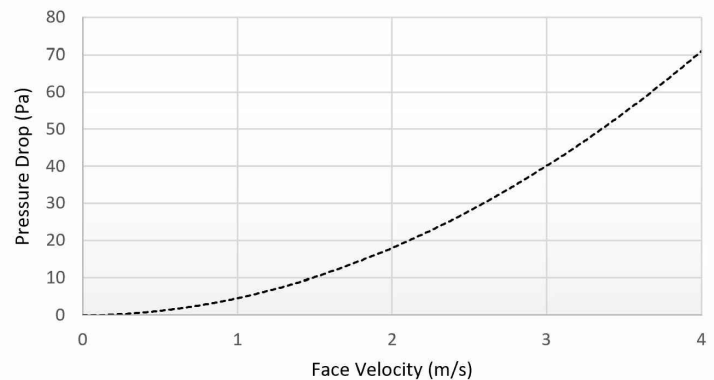


The tables below represent the AL-450 performance results for insertion loss and pressure drop (tested to ISO 10140-2). For more information and the Ventüer louvre calculator please visit www.ventuer.co.nz

Insertion Loss



Pressure Drop



ACOUSTIC LOUVRE
AL-450



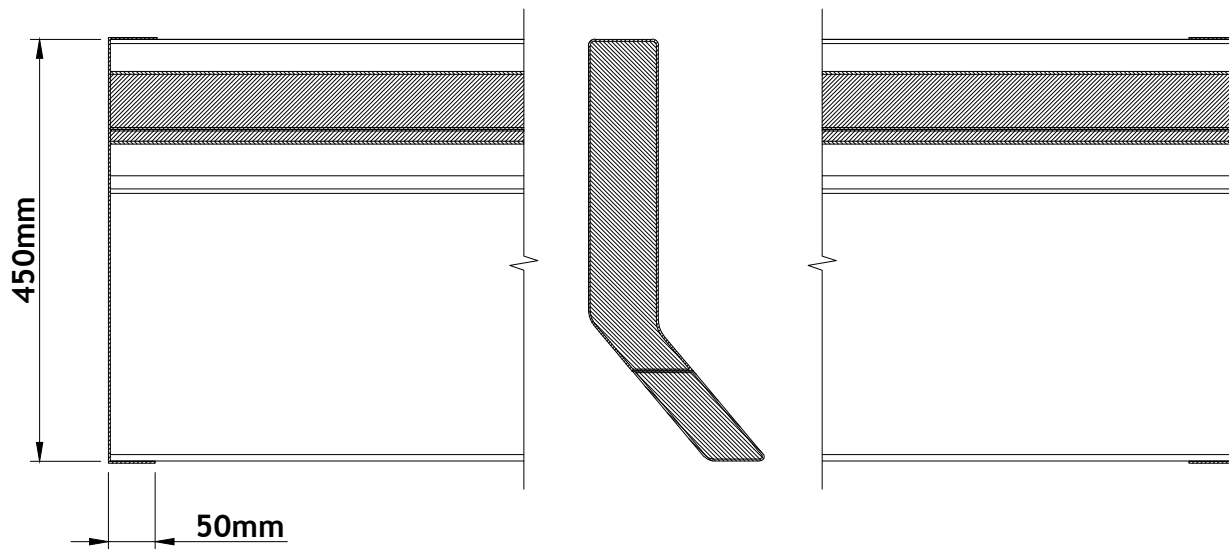
VENTÜER
High-Performance Building Ventilation

P: +64 9 973 3616
W: ventuer.co.nz
© 2019 All rights reserved

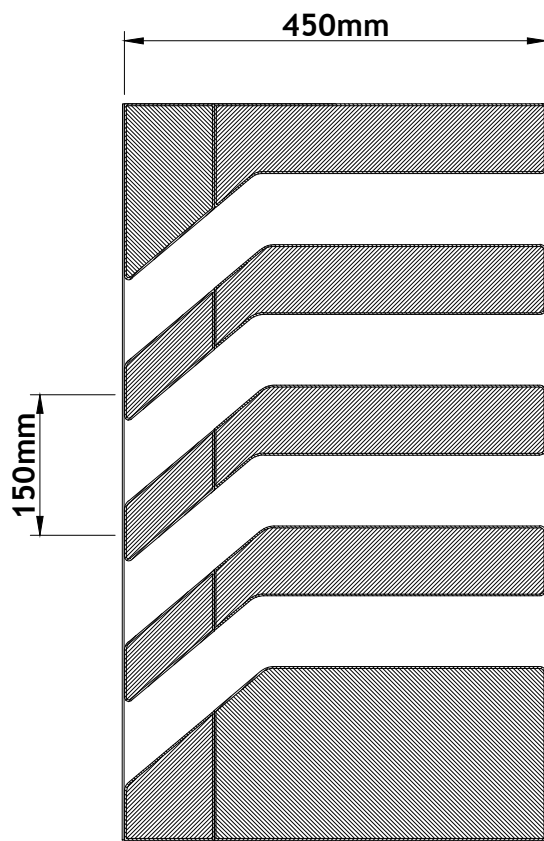
Scale: NTS
Date: 02.07.2019

AL-450 Ver.1

VENTÜER TECHNICAL DATA SHEET



CHANNEL FRAME - HORIZONTAL SECTION

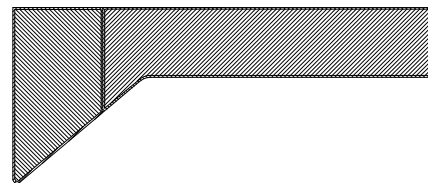


CHANNEL FRAME
VERTICAL SECTION

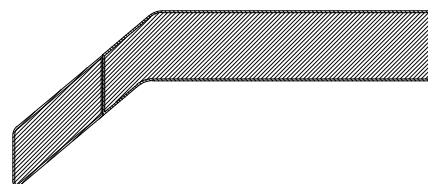
Free Area Percentage:
43% of Active Louvre Area



AL-450 JAMB CHANNEL



AL-450 HEAD FRAME



AL-450 LOUVRE BLADE



AL-450 SILL FRAME

ACOUSTIC LOUVRE
AL-450



VENTÜER
High-Performance Building Ventilation

P: +64 9 973 3616
W: ventuer.co.nz
© 2019 All rights reserved

Scale: NTS
Date: 02.07.2019

AL-450 Ver.1