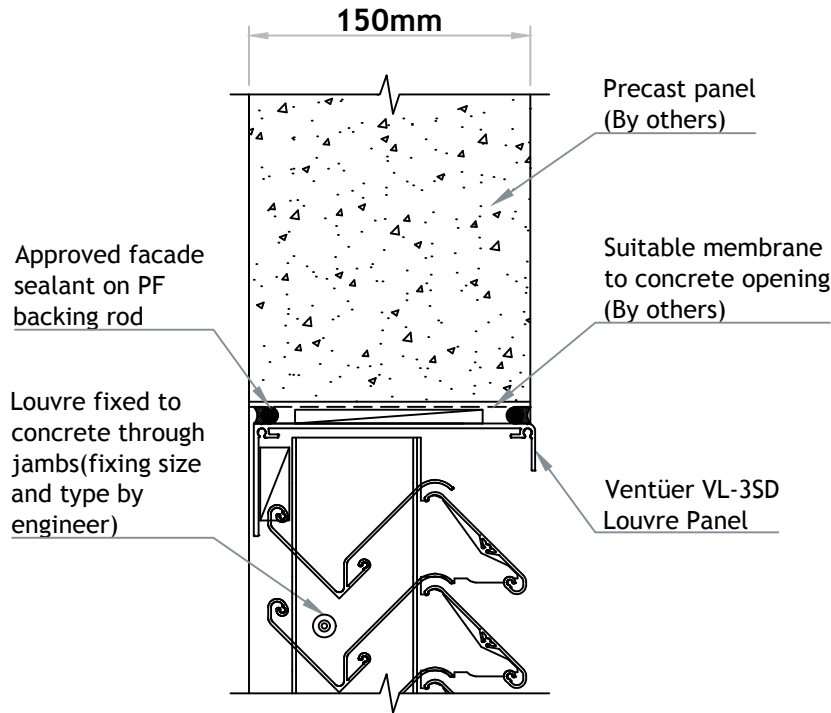
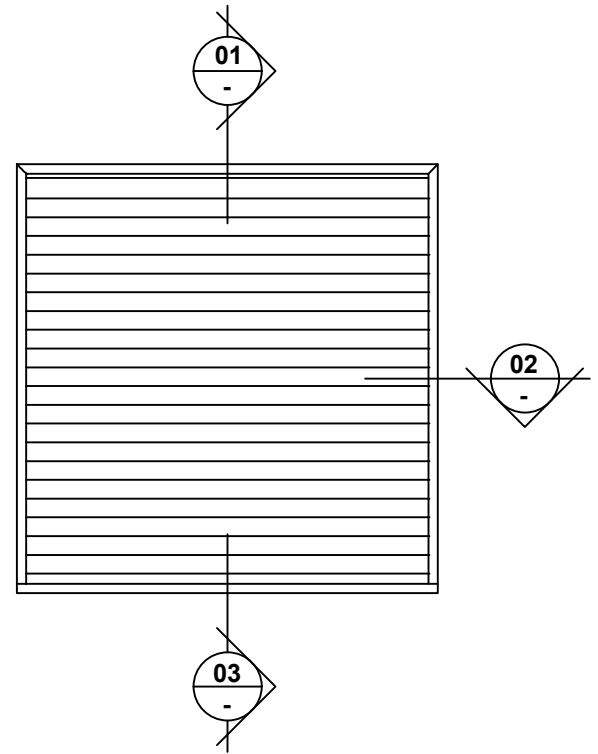


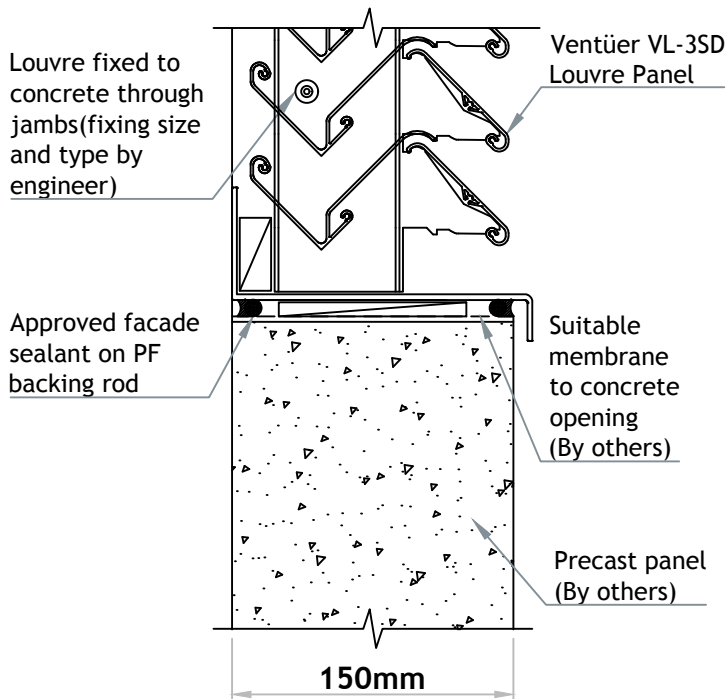
VENTÜER TECHNICAL DATA SHEET



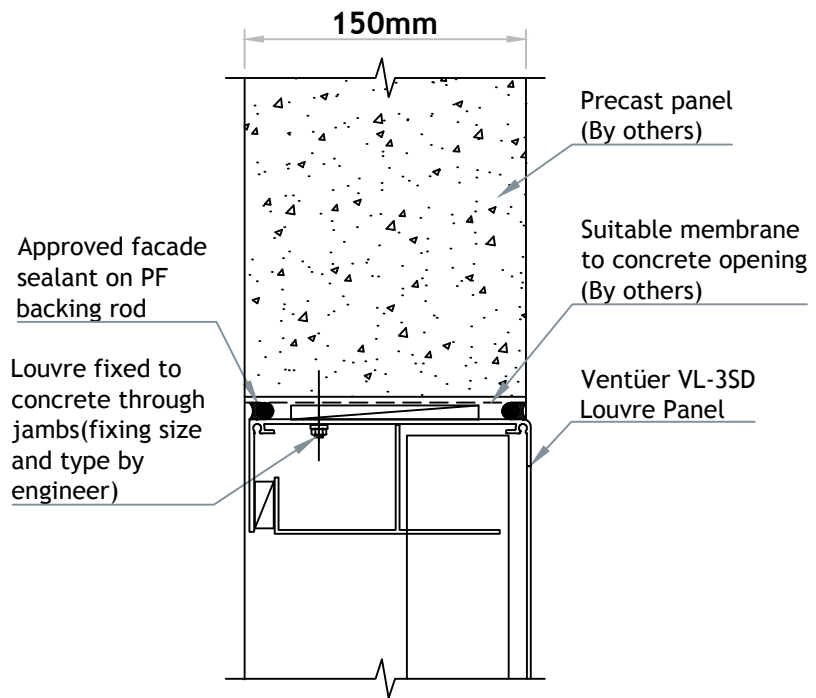
VL-3SD (FLANGED FRAME)
HEAD DETAIL 01
SCALE 1 : 4



VL-3SD LOUVRE (FLANGED FRAME)



VL-3SD (FLANGED FRAME)
SILL DETAIL 03
SCALE 1 : 4



VL-3SD (FLANGED FRAME)
JAMB DETAIL 02
SCALE 1 : 4

VENTILATION LOUVRE
VL-3SD
 FIXING TO PRECAST CONCRETE



VENTÜER
 High-Performance Building Ventilation

P: +64 9 973 3616
 W: ventuer.co.nz
 © 2019 All rights reserved

Scale: 1 : 4
 Date: 27/03/2019

VL-3SD Ver.1