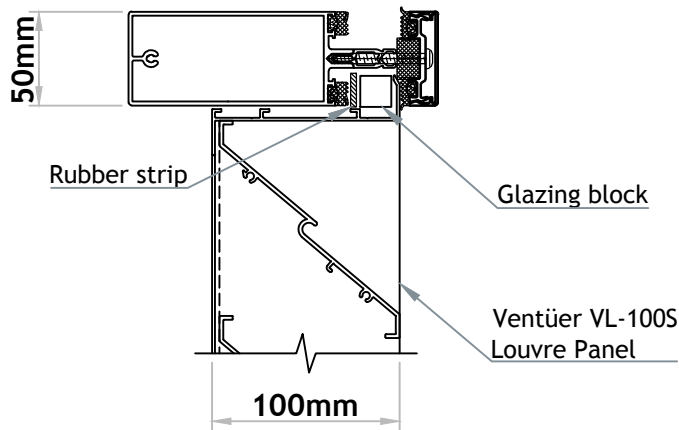
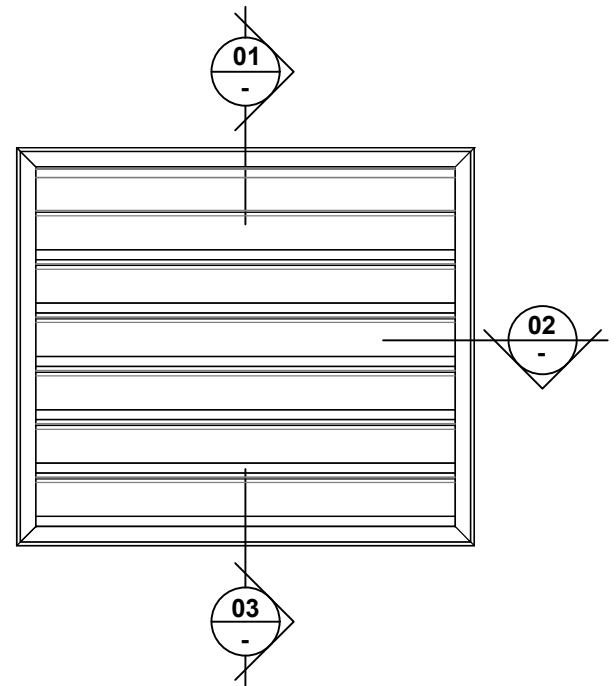


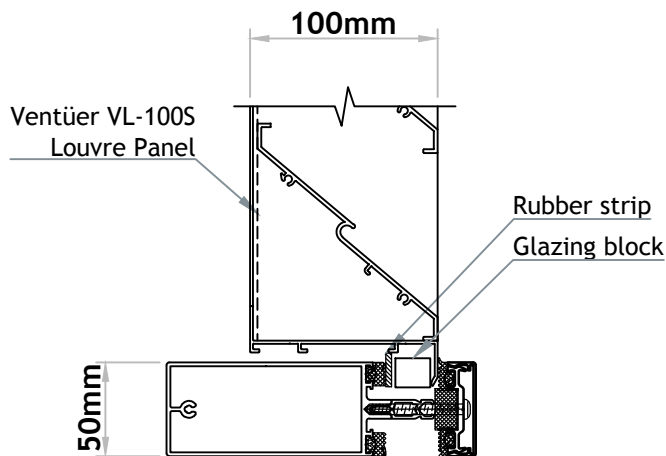
VENTÜER TECHNICAL DATA SHEET



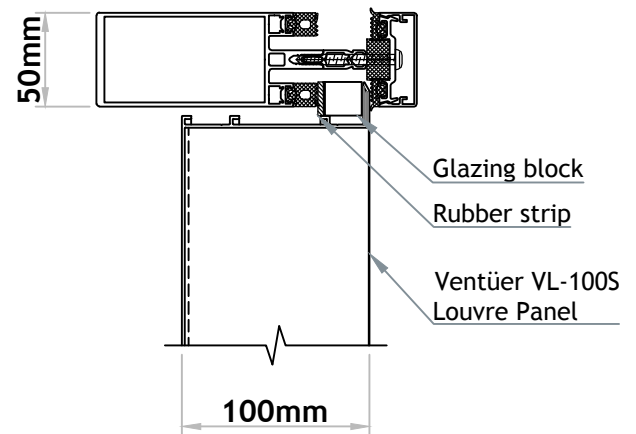
VL-100S (FLANGED FRAME)
HEAD DETAIL 01
SCALE 1 : 4



VL-100S LOUVRE (FLANGED FRAME)



VL-100S (FLANGED FRAME)
SILL DETAIL 03
SCALE 1 : 4



VL-100S (FLANGED FRAME)
JAMB DETAIL 02
SCALE 1 : 4

VENTILATION LOUVRE
VL-100S
FIXING TO WINDOW JOINERY-GLAZED IN



VENTÜER
High-Performance Building Ventilation

P: +64 9 973 3616
W: ventuer.co.nz
© 2019 All rights reserved

Scale: 1 : 4
Date: 12/04/2019

VL-100S Ver.1