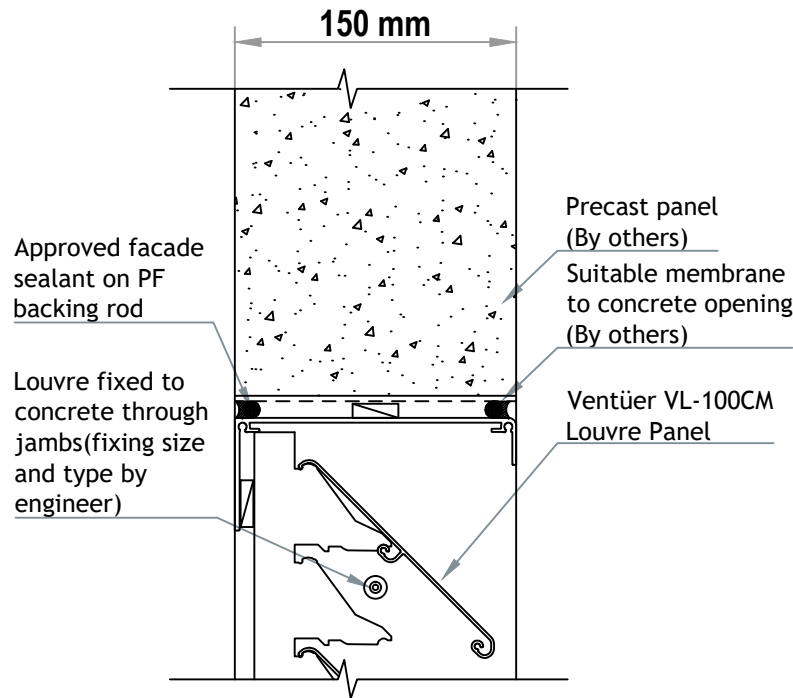
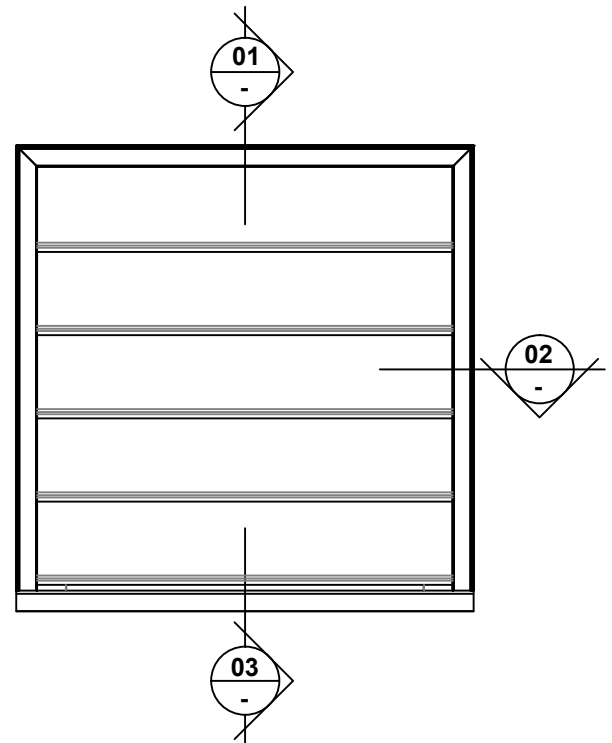


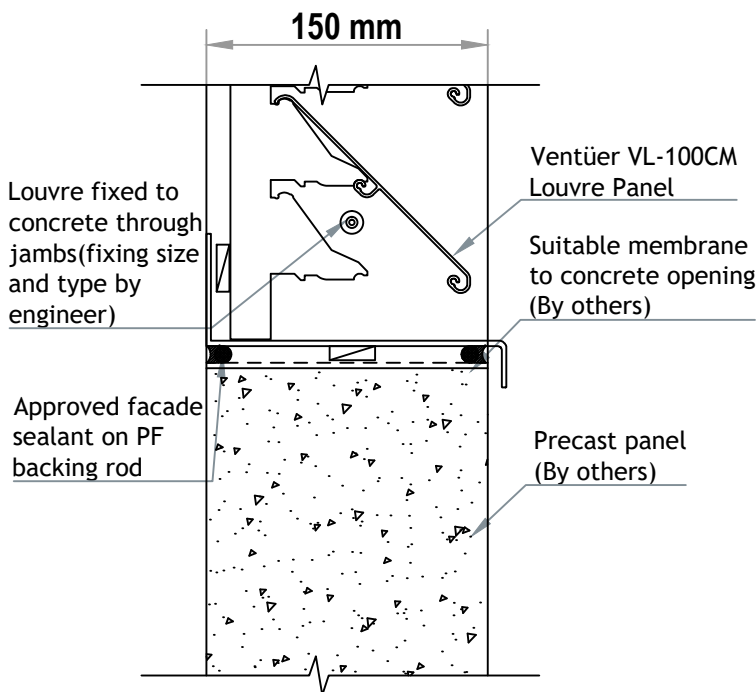
VENTÜER TECHNICAL DATA SHEET



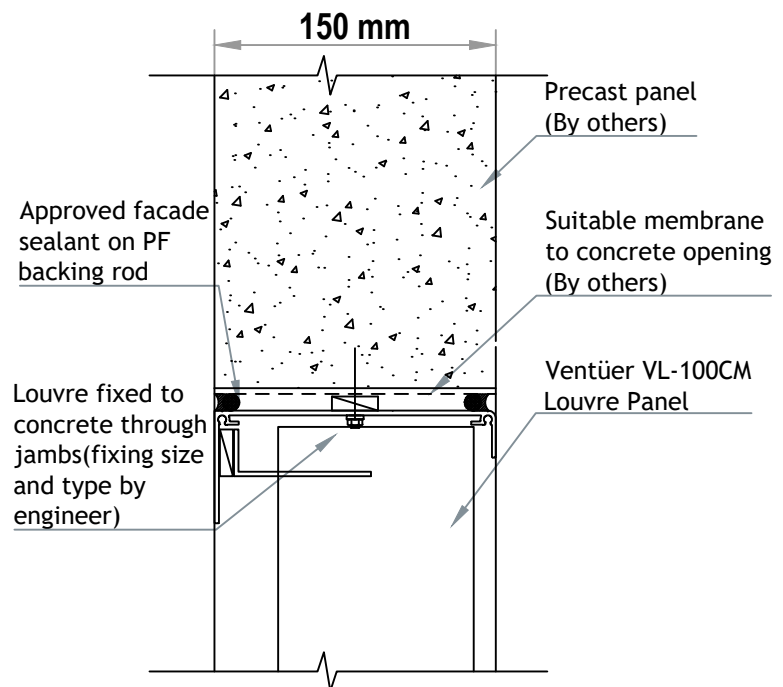
**VL-100CM (FLANGED FRAME)
HEAD DETAIL 01
SCALE 1 : 4**



VL-100CM LOUVRE (FLANGED FRAME)



**VL-100CM (FLANGED FRAME)
SILL DETAIL 03
SCALE 1 : 4**



**VL-100CM (FLANGED FRAME)
JAMB DETAIL 02
SCALE 1 : 4**

VENTILATION LOUVRE
VL-100CM
FIXING TO PRECAST CONCRETE



VENTÜER
High-Performance Building Ventilation

P: +64 9 973 3616
W: ventuer.co.nz
© 2019 All rights reserved

Scale: 1 : 4
Date: 28/03/2019

VL-100CM Ver.1